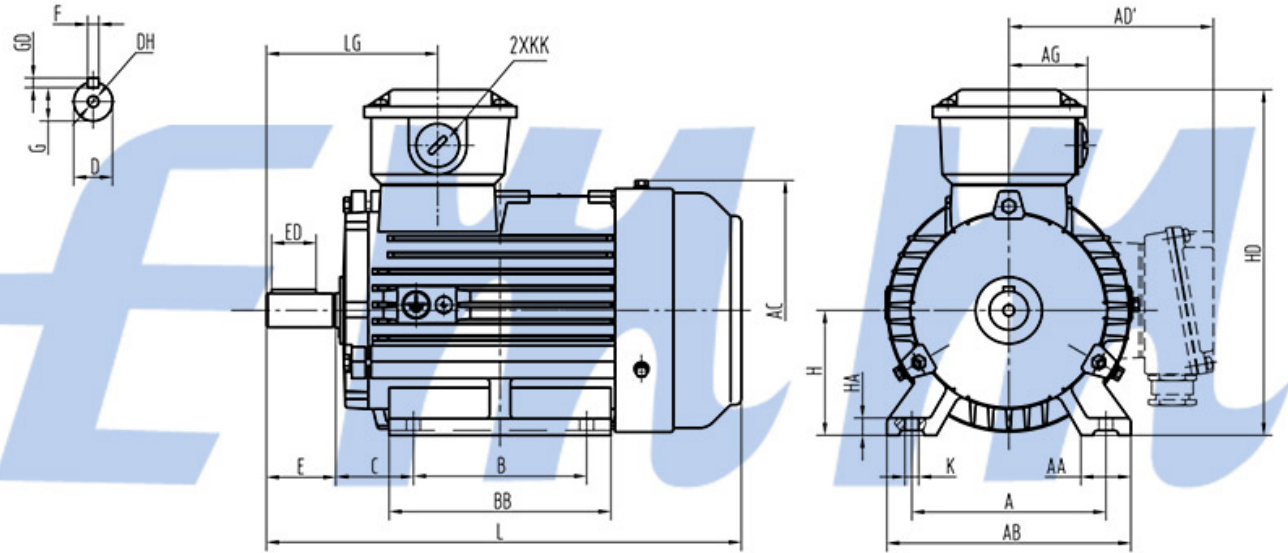


Frequency	50
Pole	2
Output (KW)	315
Output (HP)	430
Speed (rpm)	2945
FLC 380V (A)	572.11
FLC 400V (A)	543.5
FLC 415V (A)	523.86
Locked Rotor Current	7.1
Efficiency	94
Power Factor	0.89
Rated Torque (Nm)	1021.5
Locked Rotor Torque	1.6
Breakdown Torque	2.2
Moment of Inertia (kgm ²)	3.8529
Noise (dbA)	103
Weight (Kg)	1780



Dimension *All dimensions in mm

Mounting Type: B3

B3 Foot Mounting						Shaft				General					
H	A	B	BB	C	K	D	E	F	G	AB	AD	HD	AC	L	KK
355	610	560/630	750	254	Φ28	Φ75	140	20	67.5	740	655	1010	Φ820	1495	2-M63X1.5